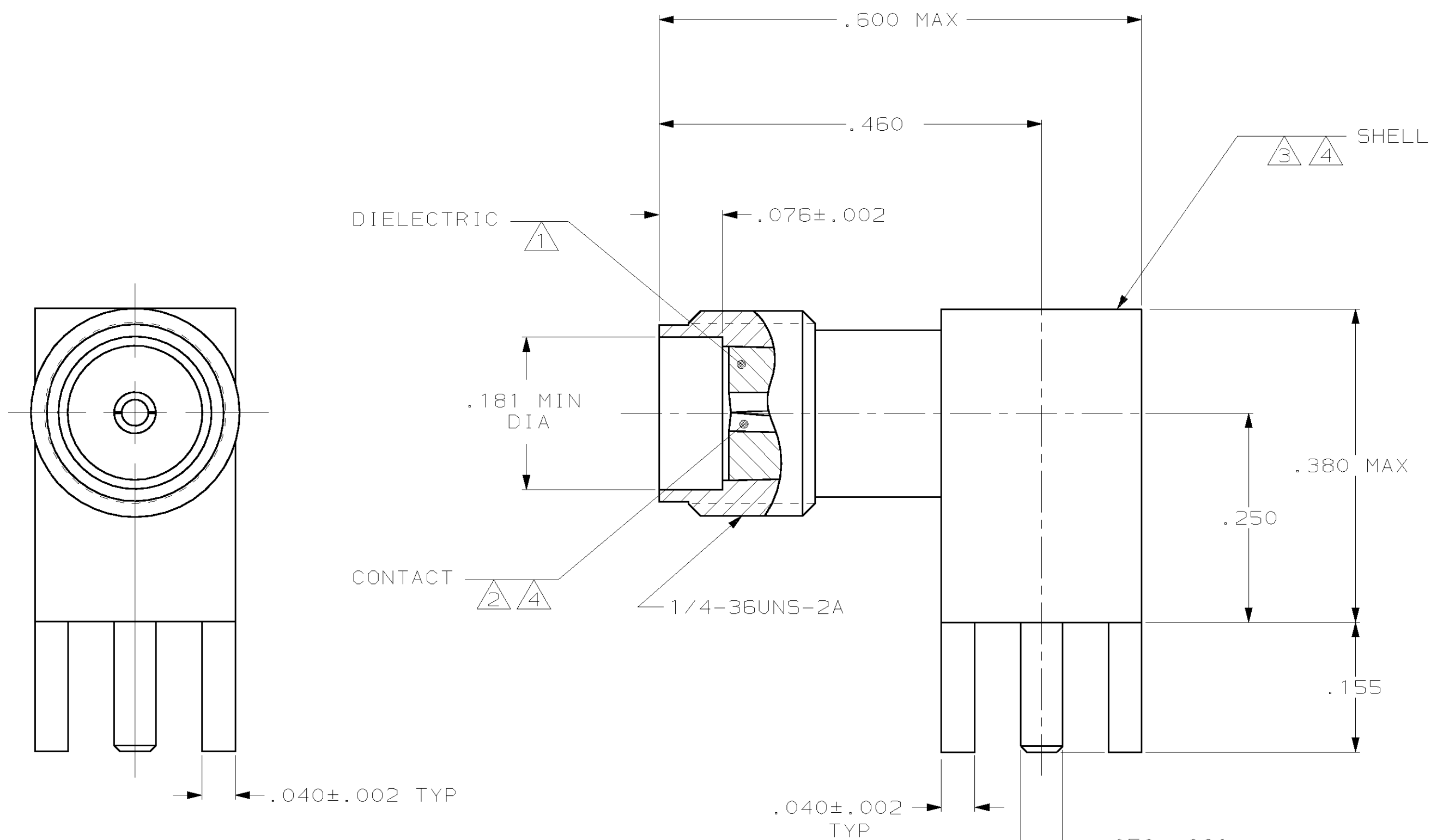
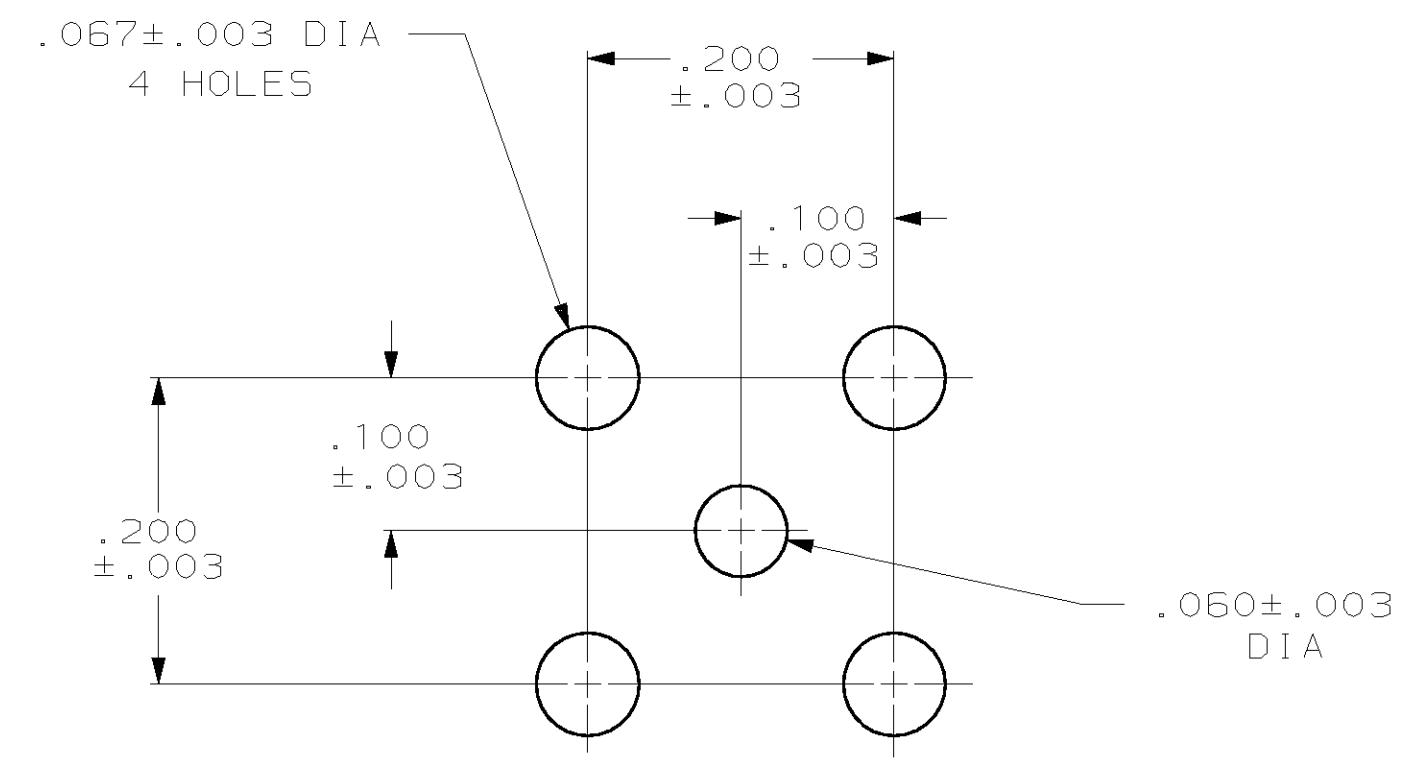


THIS DRAWING IS UNPUBLISHED. RELEASED FOR PUBLICATION .19
 (C) COPYRIGHT 19 BY AMP INCORPORATED. ALL RIGHTS RESERVED.

LOC	DIST	REVISIONS			
P	LTR	DESCRIPTION	DATE	DWN	APVD
AJ	16	REDRAWN & REVISED PER AJ-3065 & PR 87-3494-005	-	-	-
		REV PER 0E10-0163-99	11MAY99	MO	JC



- ① PTFE PER ASTM-D-1710
- ② BERYLLIUM COPPER PER ASTM-B-197
- ③ STAINLESS STEEL PER ASTM-A-582
- ④ GOLD PL PER MIL-G-45204



PCB CONFIGURATION

221790-1
PART NUMBER

THIS DRAWING IS A CONTROLLED DOCUMENT.		DWN M. OBRINE 05MAY99	AMP Incorporated Harrisburg, PA 17105-3608	
DIMENSIONS: mm		CHK J. CABARLO 05MAY99	NAME JACK, RIGHT ANGLE PCB, SERIES SMA	
TOLERANCES UNLESS OTHERWISE SPECIFIED: 0 PLC ±- 1 PLC ±- 2 PLC ±- 3 PLC ±.010 4 PLC ±- ANGLES ±-		APVD J. CABARLO 05MAY99	DRAWING NO 221790	
MATERIAL ①②③		FINISH ④	SIZE A2	RESTRICTED TO -
		WEIGHT -	CAGE CODE 00779	
		CUSTOMER DRAWING		SCALE 8:1 SHEET 1 OF 1 REV B

221790